

# Instruction Manual

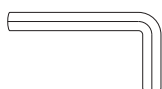
Dog Kennel No Roof

1.8x1.8x1.8m



Tools:

---



x1

# Part List



1 x3pcs 1800mm



2 x6pcs 1740cm



3 x2pcs 1740cm



4 x3pcs 1740cm



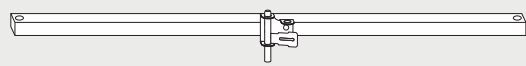
5 x1pcs 1665mm



6 x1pcs 1145mm



D1 x1pcs 1630mm



D2 x1pcs 1630mm



D3 x2pcs 480mm



D4 x1pcs 480mm



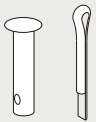
D5 x1pcs 1800mm



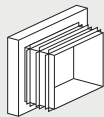
A x65pcs 1715mm



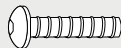
B x5pcs 1617mm



C x2pcs



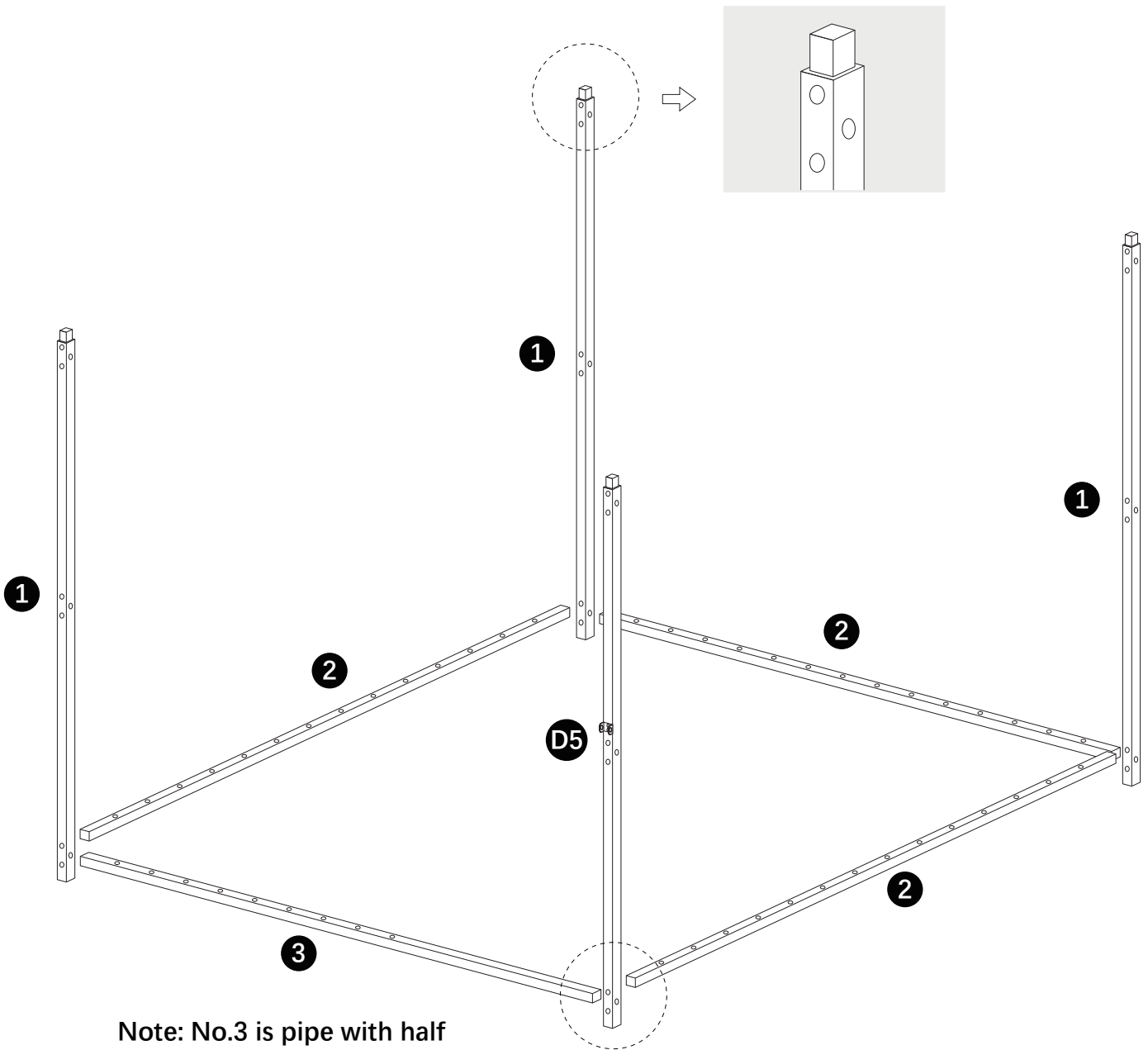
D x8pcs



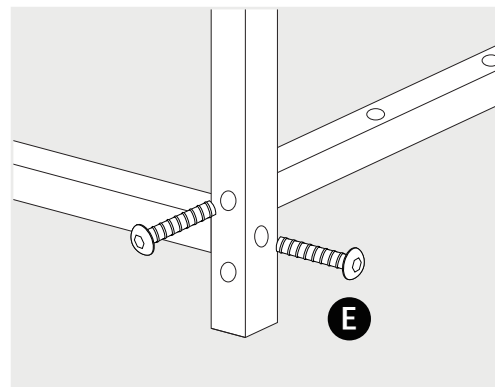
E x35pcs

# Step 1

Install the base and column.

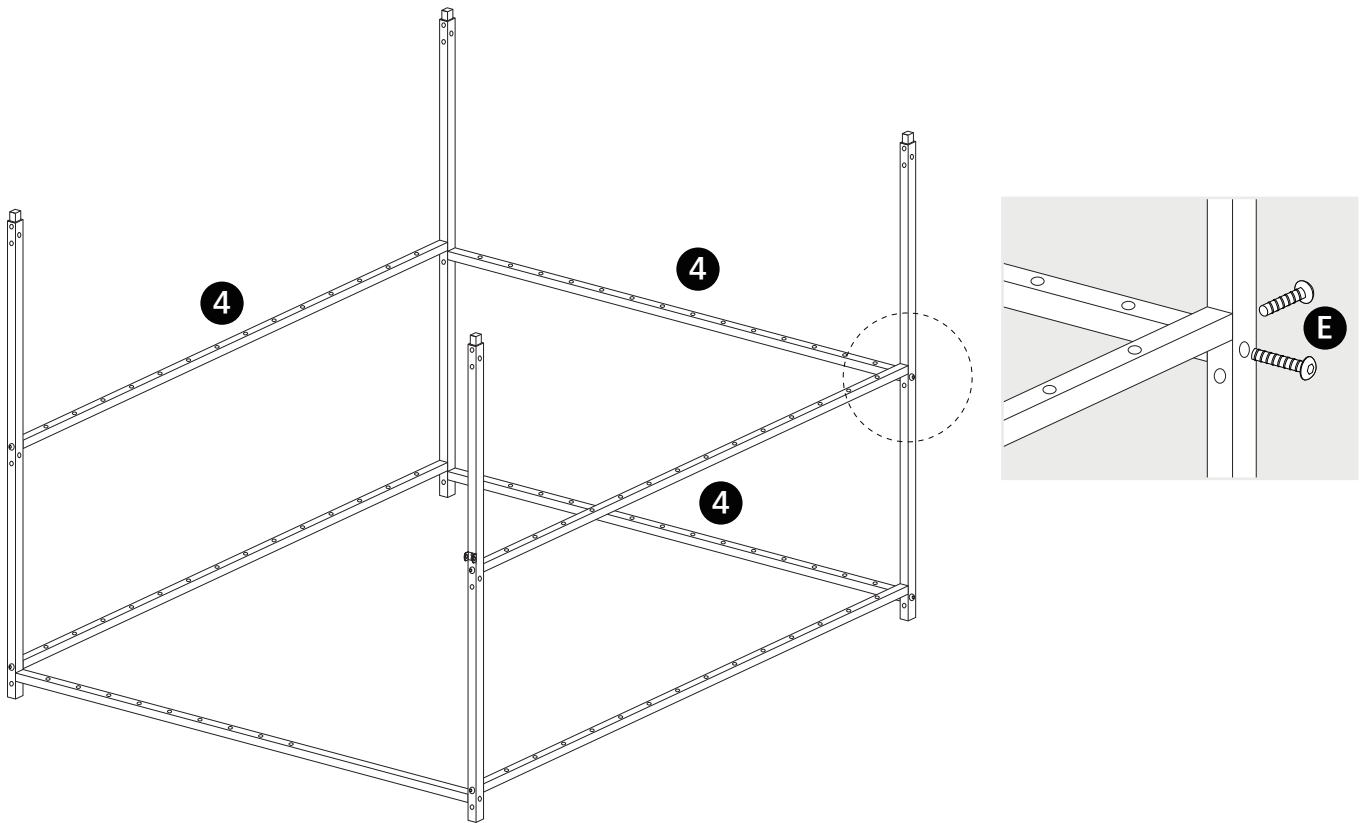


Note: No.3 is pipe with half pre-drilled holes



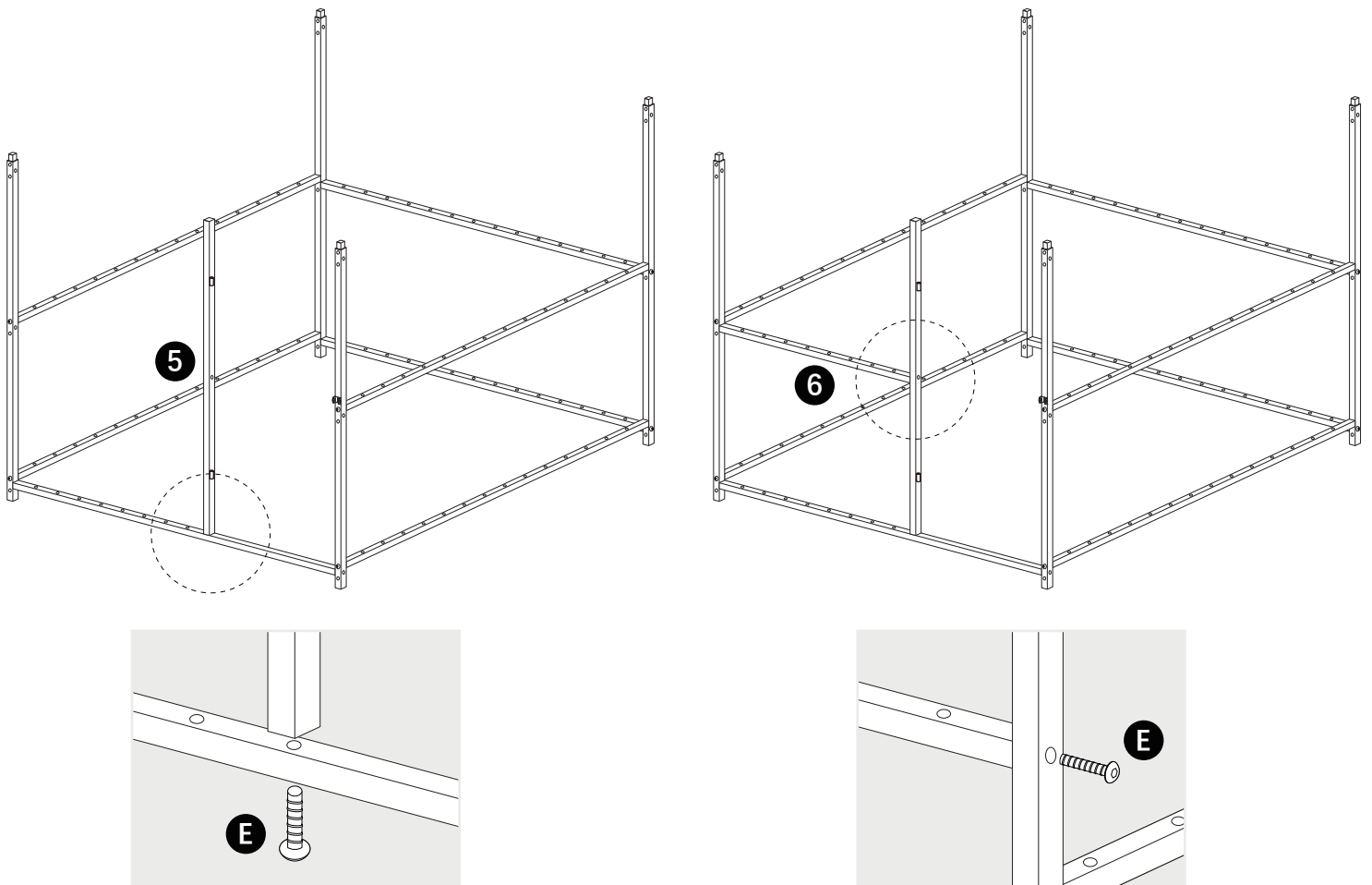
## Step 2

Install the middle cross bars.



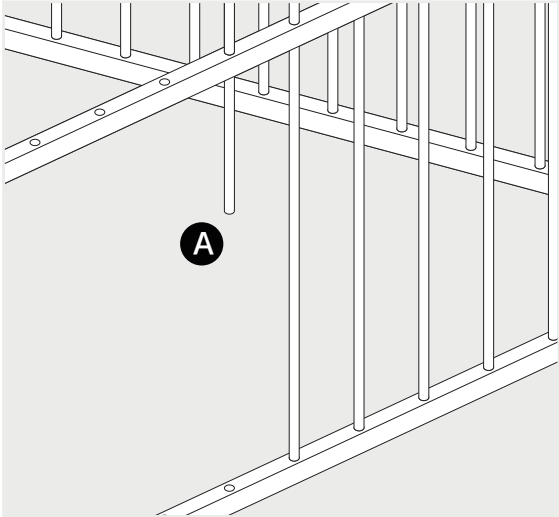
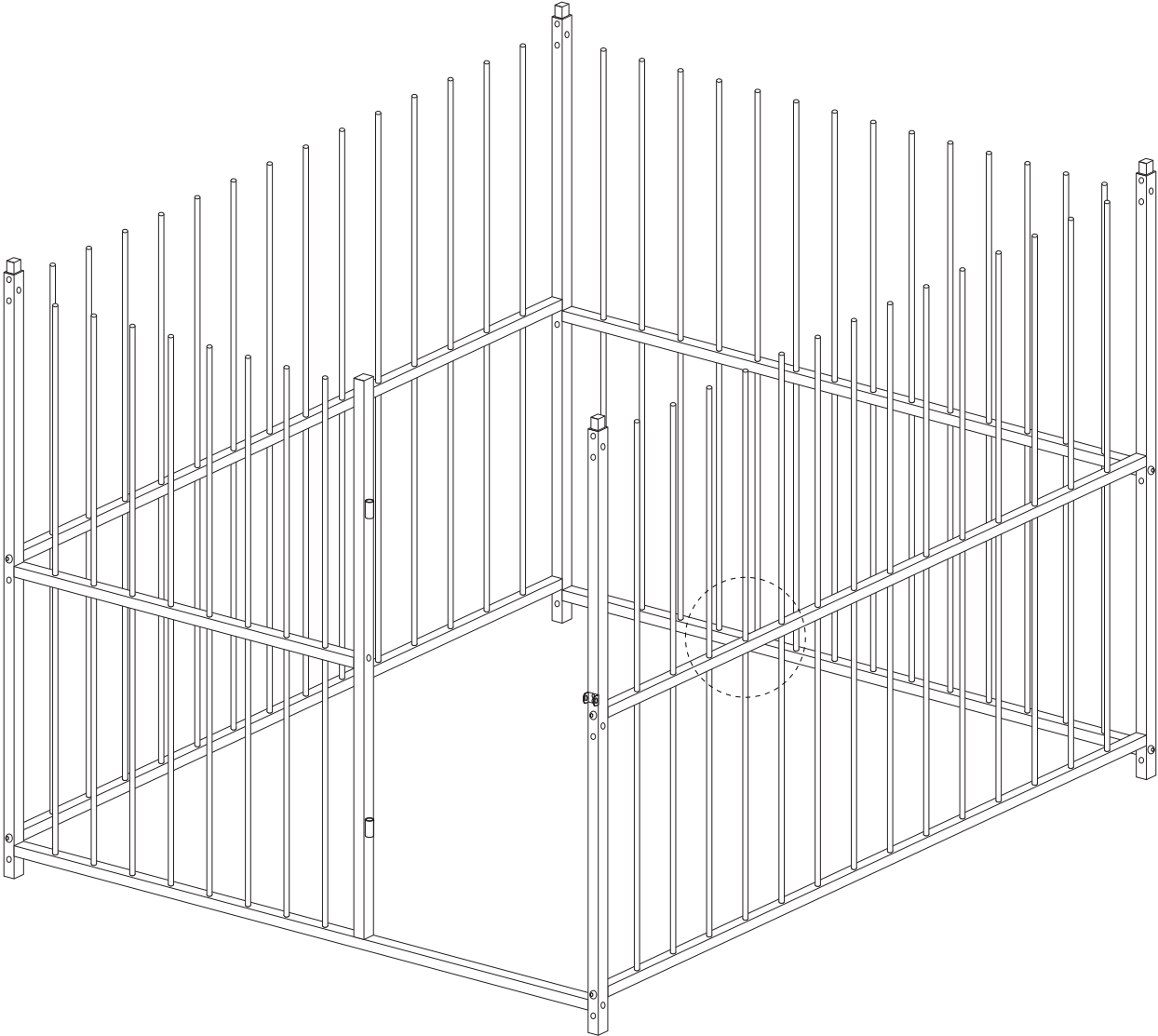
## Step 3

Install facade pipes.



# Step 4

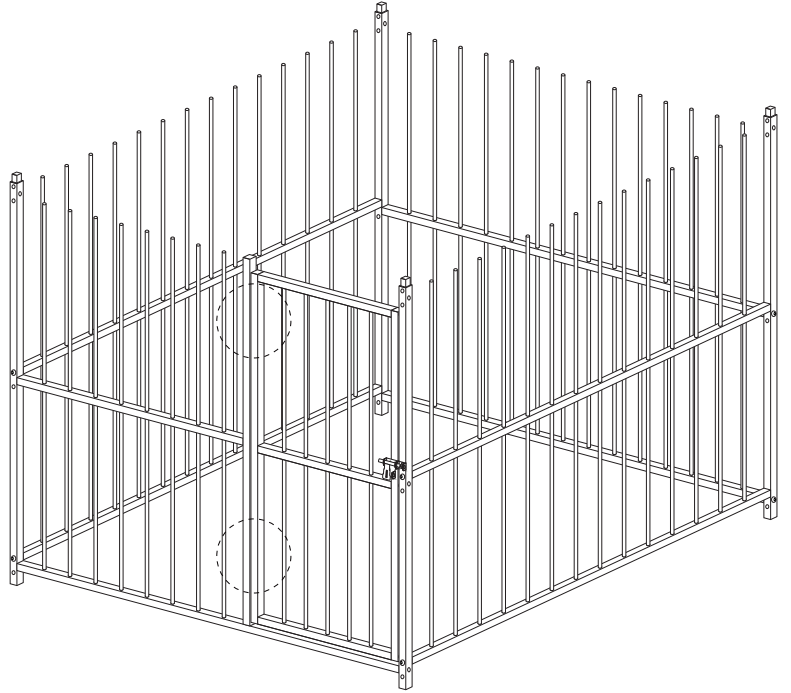
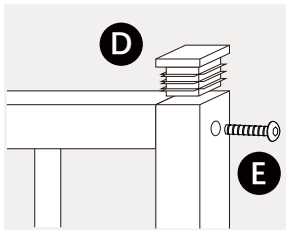
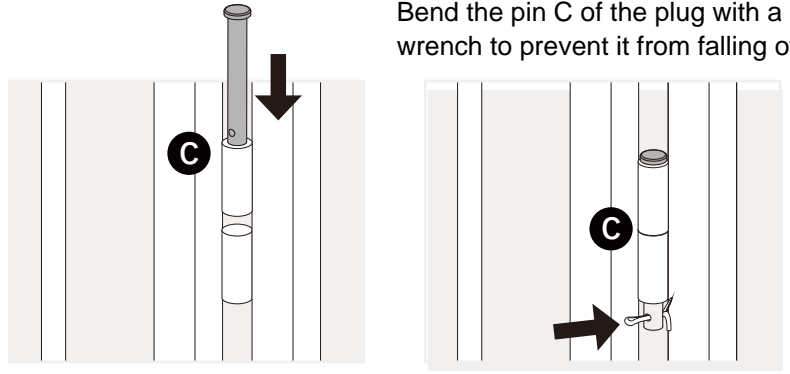
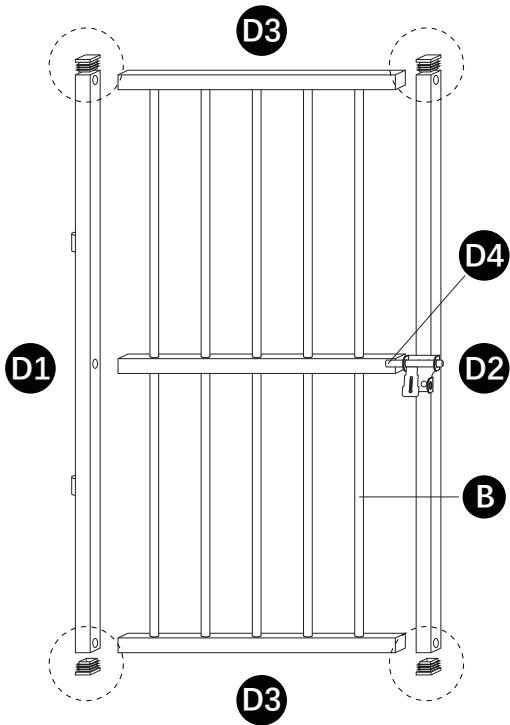
Insert a circular tube as a grid.



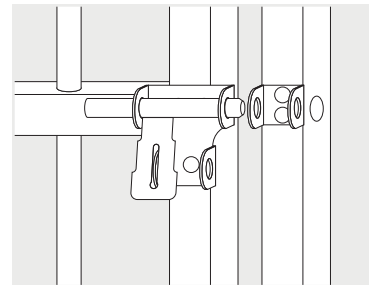
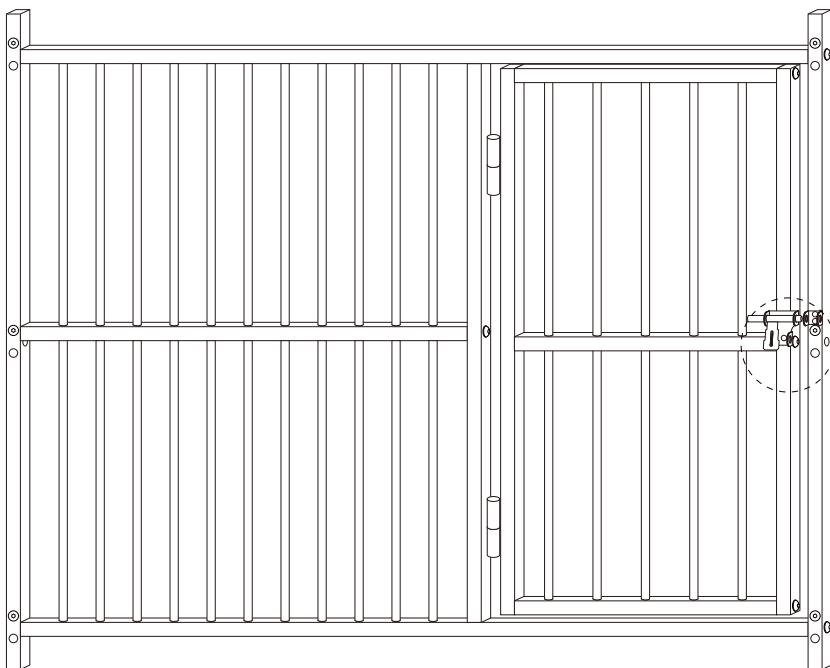
# Step 5

Door fixing.

Bend the pin C of the plug with a wrench to prevent it from falling off.



## Full door view



# Step 6

Install the top beam pipe.

