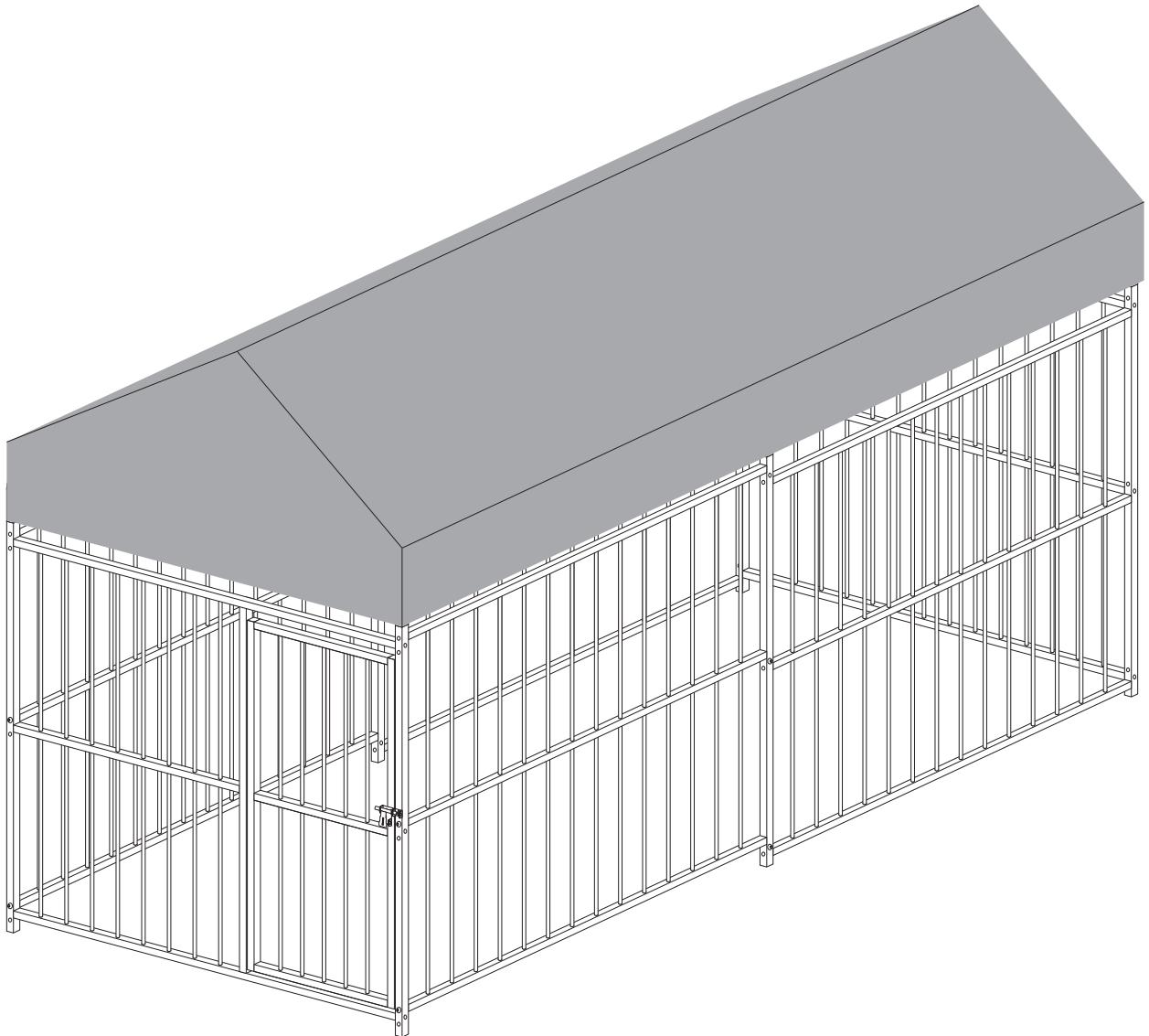


# Instruction Manual

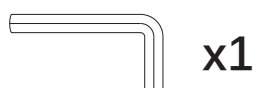
## Dog Kennel With Roof

1.5x3x1.8m



Tools:

---



x1

## Part list in box 1



1 x5pcs 1485mm



2 x10pcs 1447.5mm



3 x2pcs 1447.5mm



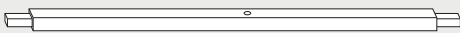
4 x5pcs 1447.5mm



5 x1pcs 1335mm



6 x1pcs 847.5mm



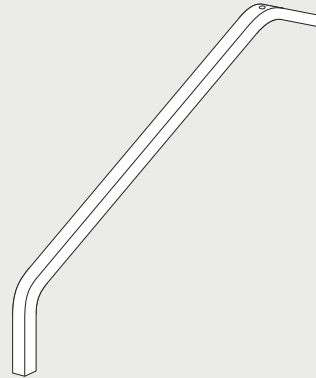
7 x1pcs 1080mm



D5 x1pcs 1485mm



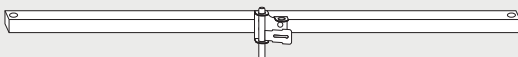
8 x2pcs 1000mm



9 x3pcs



D1 x1pcs 1290mm



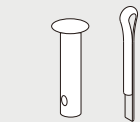
D2 x1pcs 1290mm



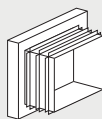
D3 x2pcs 480mm



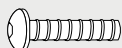
D4 x1pcs 480mm



C x2pcs



D x4pcs



E x50pcs



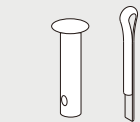
x3pcs



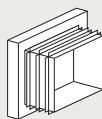
F x1pcs Roof Cover



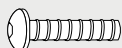
G x12pcs



C x2pcs



D x4pcs



E x50pcs



x3pcs



F x1pcs Roof Cover



G x12pcs

## Part list in box 2



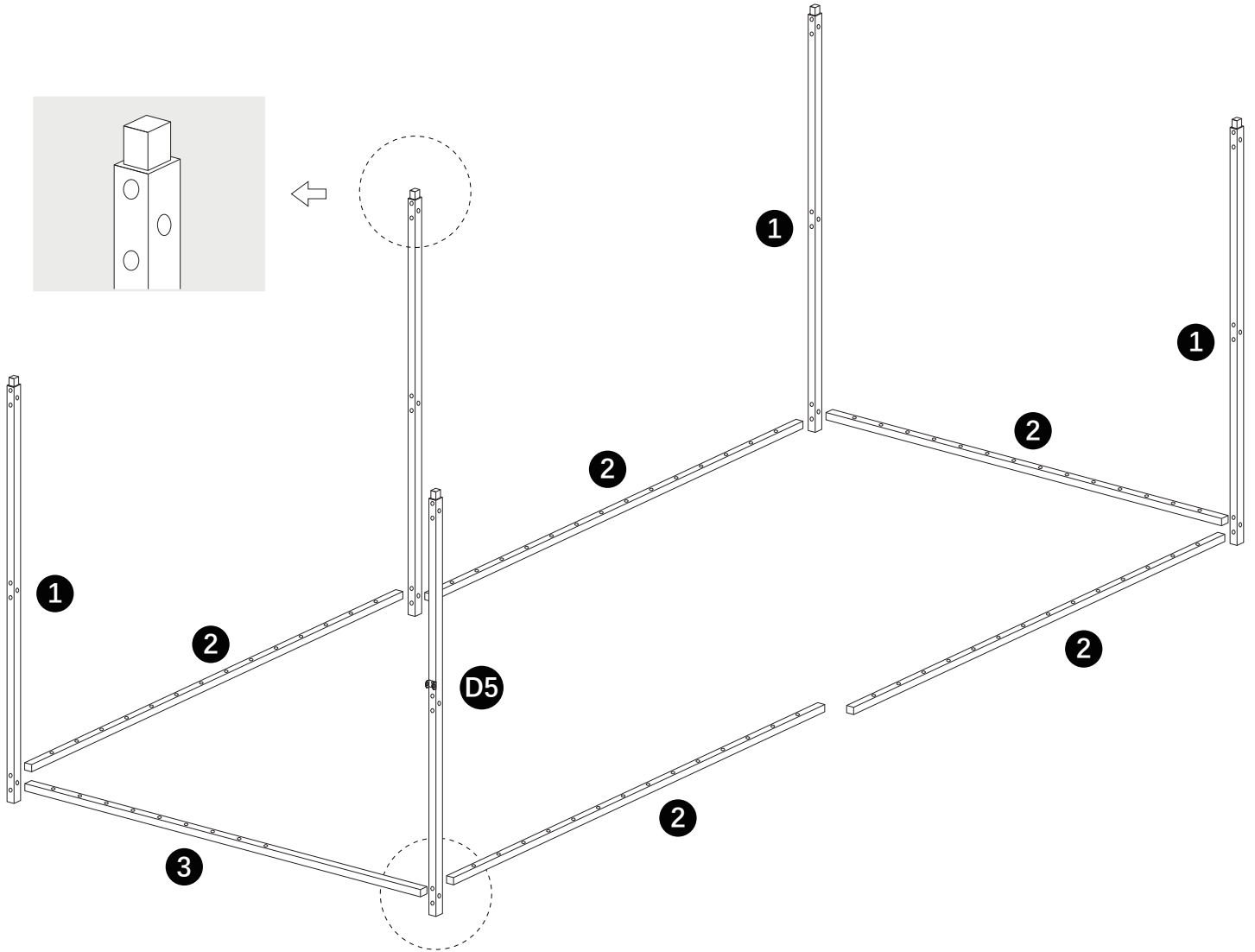
A x78pcs 1370mm



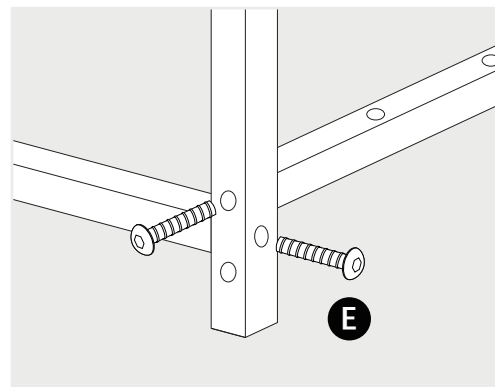
B x5pcs 1295mm

# Step 1

Install the base and column.

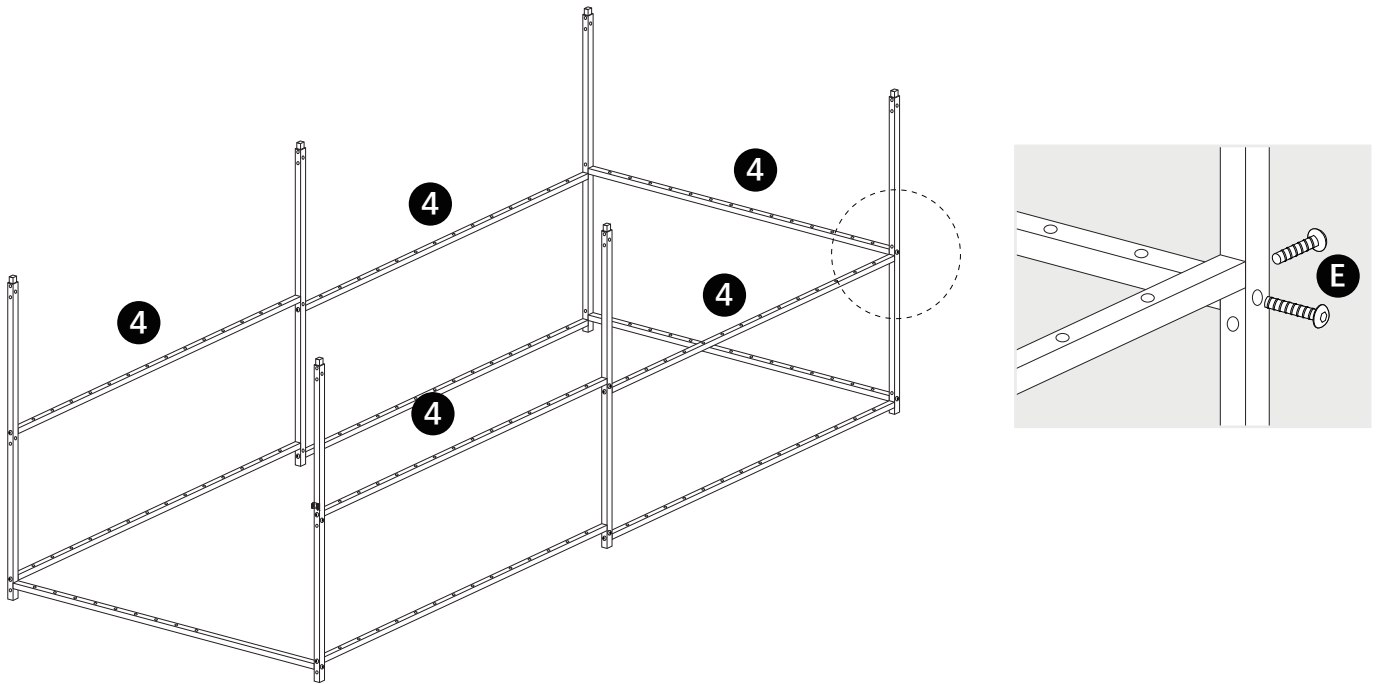


Note: No.3 is pipe with half pre-drilled holes



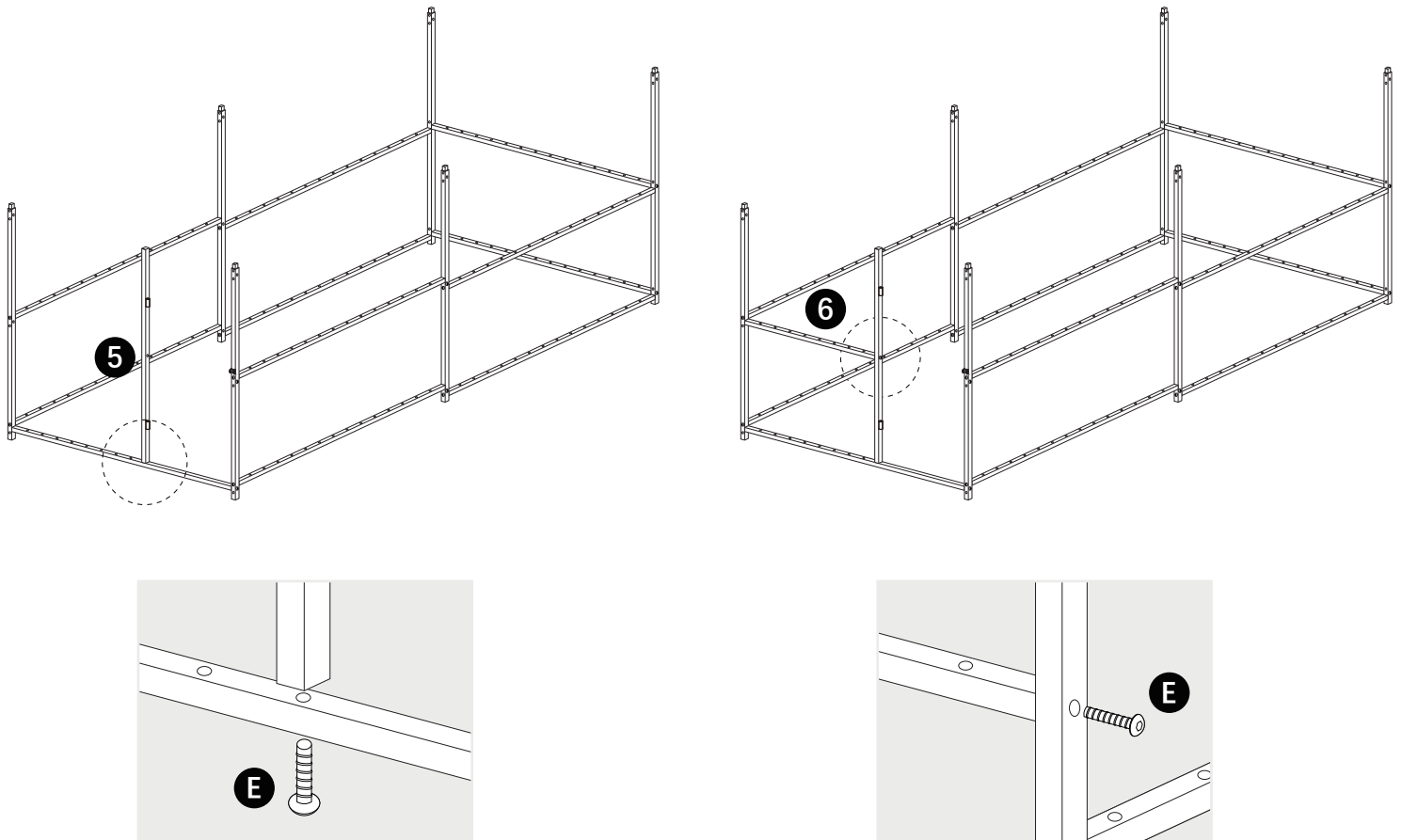
## Step 2

Install the middle cross bars.



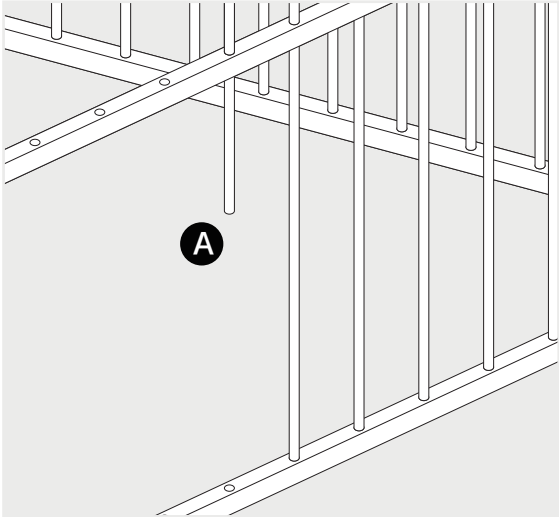
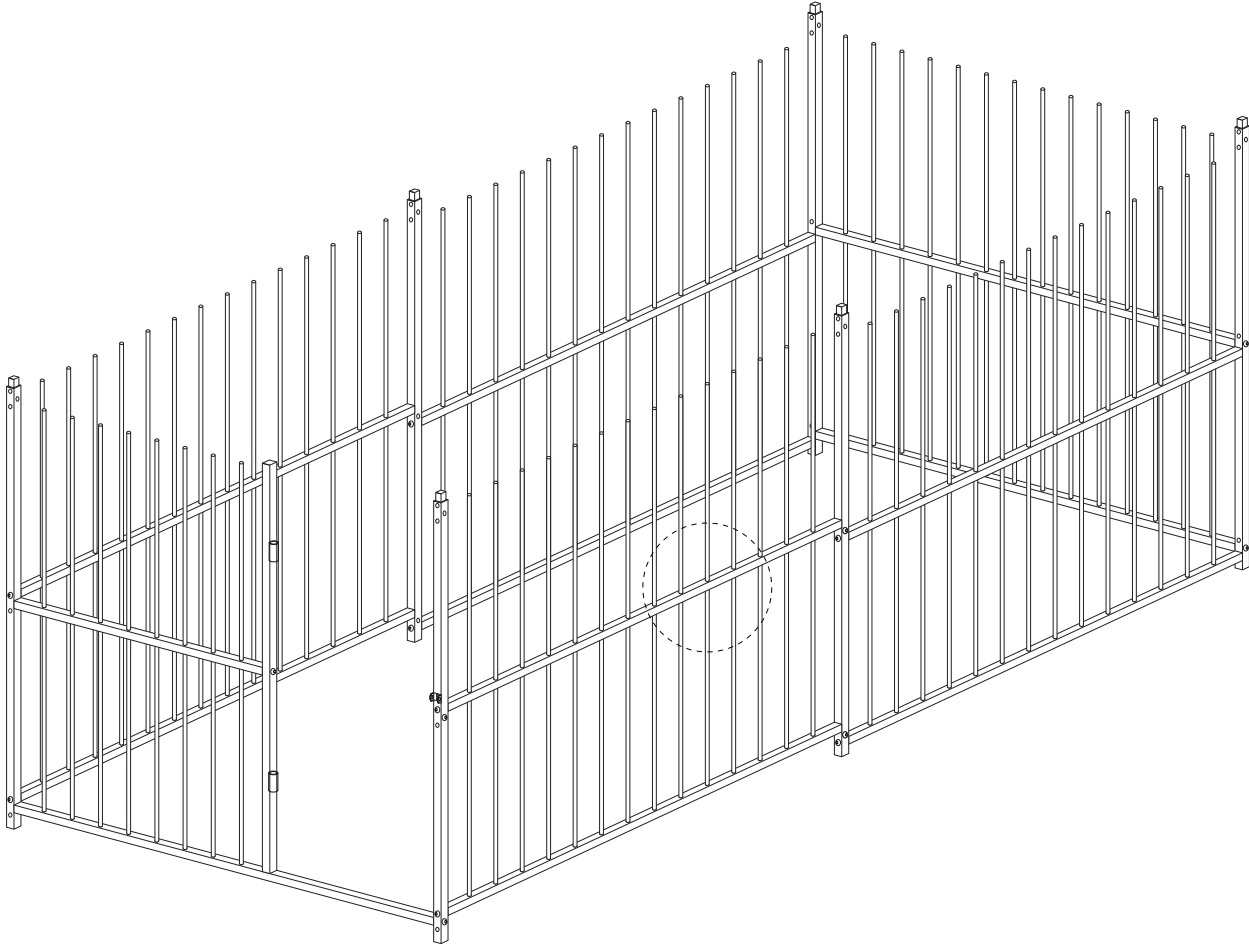
## Step 3

Install facade pipes.



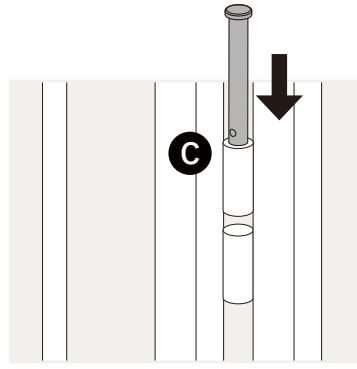
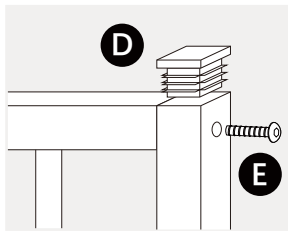
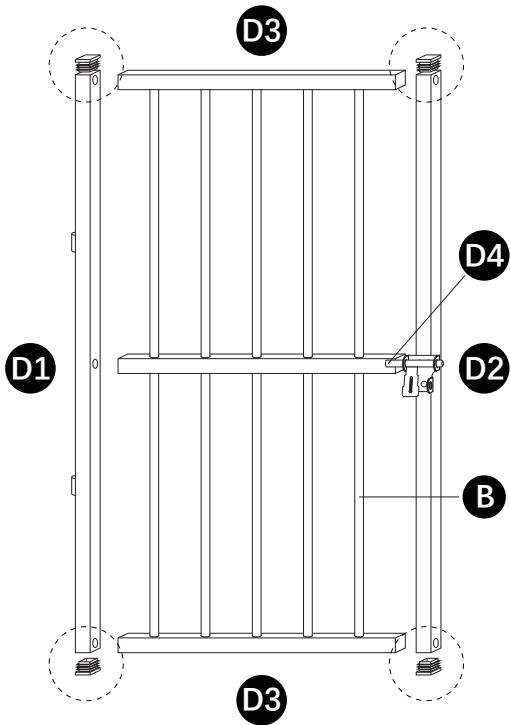
# Step 4

Insert a circular tube as a grid.

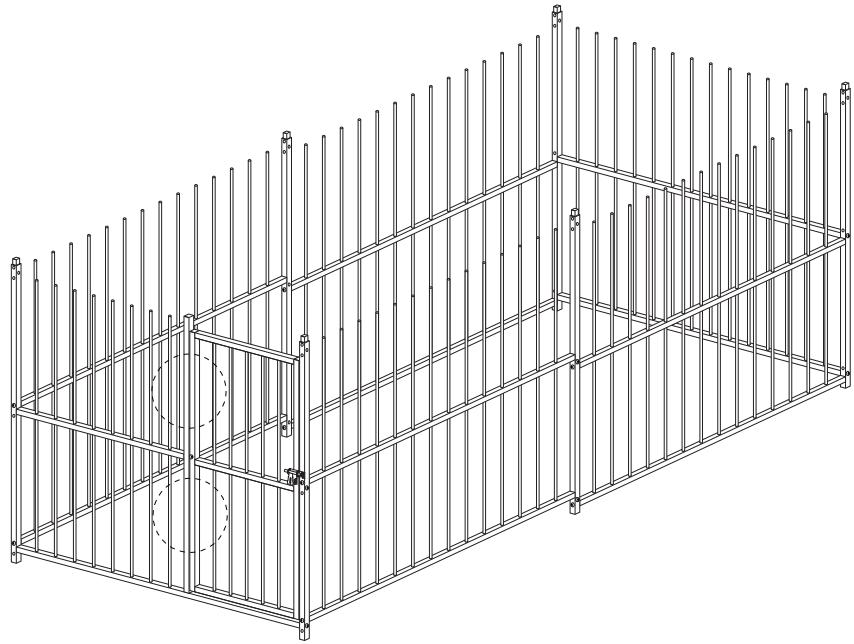
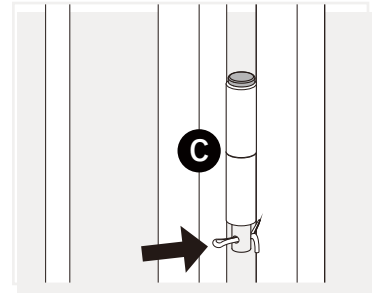


# Step 5

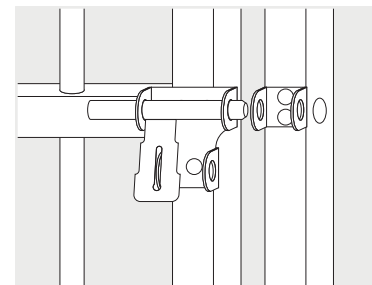
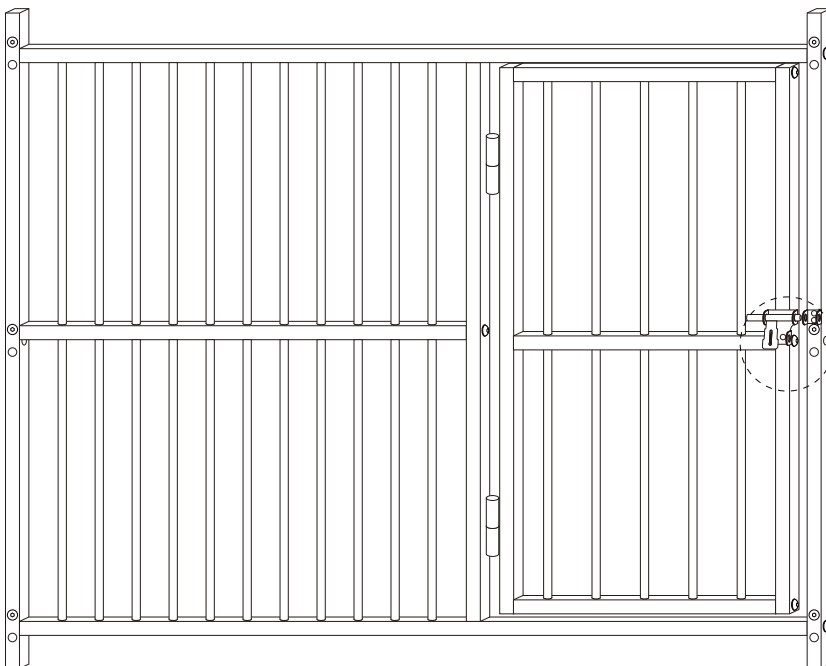
Door fixing.



Bend the pin C of the plug with a wrench to prevent it from falling off.

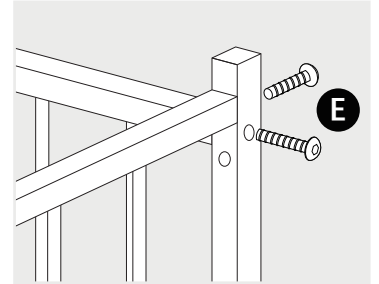
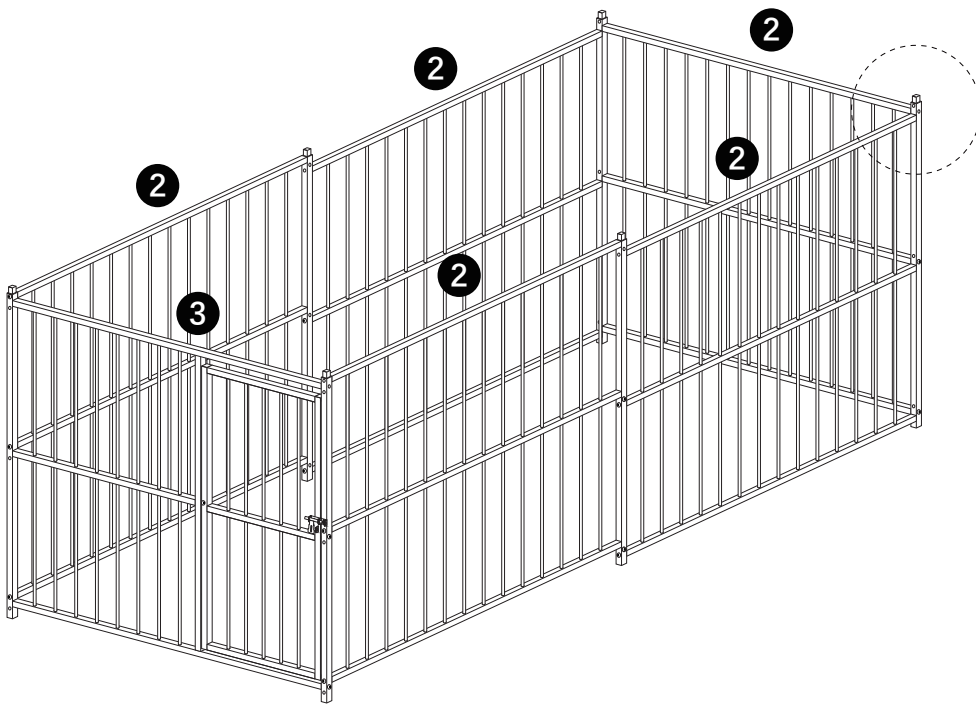


## Full door view



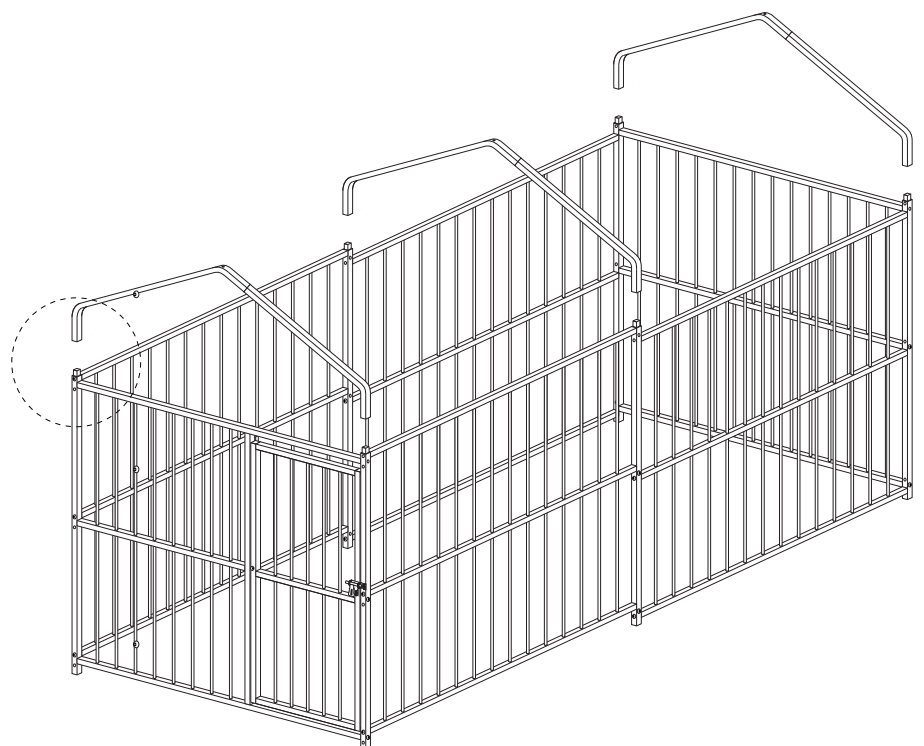
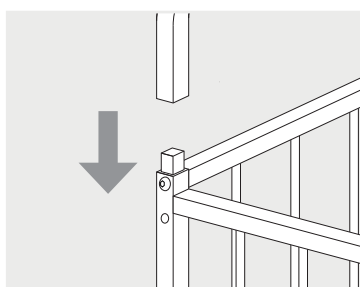
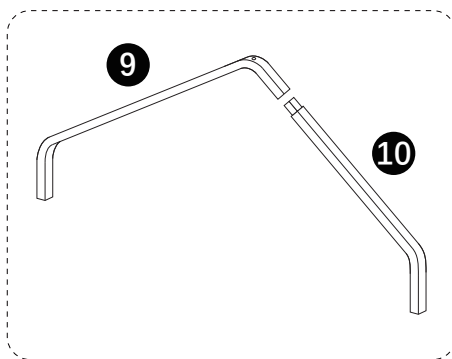
## Step 6

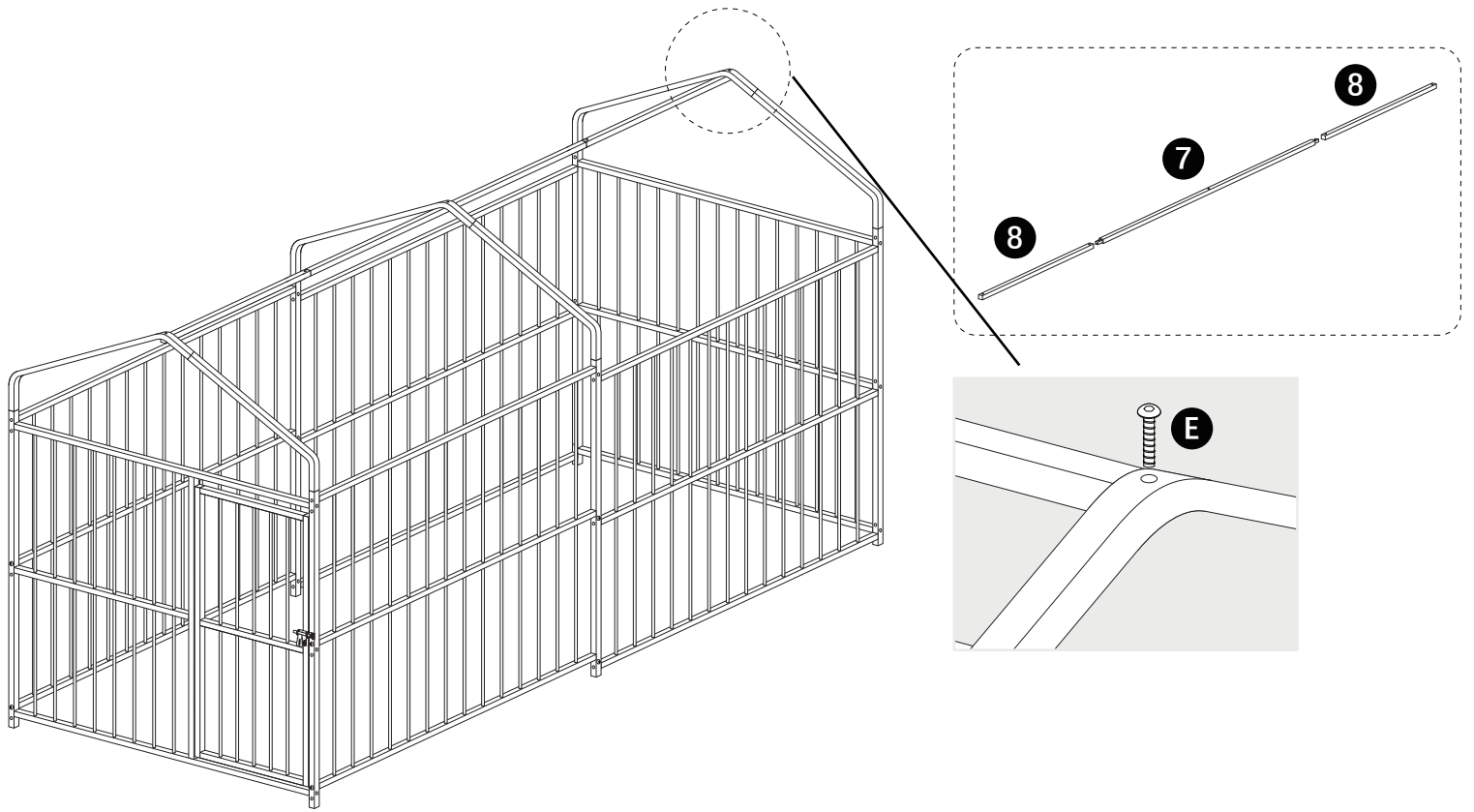
Install the top beam pipe.



## Step 7

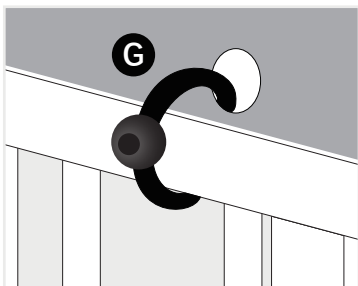
Roof fixing.





## Step 8

Cover the roof fabric.



Fix the cover to the frame with G.

